

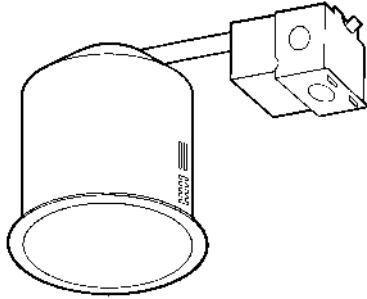
LVERTX, LVER

4" Miniature Recessed Low Voltage Remodel Housings

Catalog Number: _____

Type: _____

Project: _____



Description

LVERTX - For remodel construction. Thermally protected, 120 volt primary low voltage remodel housing. Miniature frame-in housing with magnetic transformer for use with MR16 lamps up to 50 watts. Junction box is provided with 1/2" conduit and 4 Romex knockouts with a strain relief. For fast installation in existing plaster or mechanical ceilings from 1/2" to 1-1/4" thick. Remodel clips are easily retractable for fixture removal if necessary.

LVER - For remodel construction. Thermally protected, low voltage remodel housing. Miniature frame-in housing for use with remote transformer and MR16 lamps up to 50 watts.

Features

- Magnetic transformers ensure properly controlled voltage to lamps maximizing lamp life. (LVERTX)
- MR16 lamps offer excellent color rendition and energy efficiency. MR16 50W maximum.
- For remodel construction, has pre-installed spring clips which secure the housing firmly into ceiling and accommodate ceiling thicknesses from 1/2" to 1-1/4". No tools required.
- LVER requires remote transformer.
- Thermal protection standard.
- c/UL Listed for damp locations.

CATALOG SYSTEM AND OPTIONS

SAMPLE CATALOG NUMBER: LVETRXET-1-LC122-LCL1

Housing	Remote Transformer ²	Trims (choose one)
LVERTX	ET-13	LC101 - Pinhole, Black Baffle
LVER ¹	ET-2 ³	LC102 - Pinhole, Clear Reflector
	ET-5 ³	LC103 - Pinhole, Gold Reflector
		LC104 - Pinhole, Black Reflector
		LC121 - Black Baffle
		LC121W - White Baffle
		LC122 - Clear Reflector
		LC123 - Gold Reflector
		LC124 - Black Reflector
		LC126 - White Reflector
		LC127SL - Brushed Nickel Reflector

Louvers
LCL1
LCL0

Footnotes:

1. Requires remote transformer.
2. Required for LVER only.
3. See below for remote transformer compatibility.

General Notes:

See back trim, lamp and louver compatibility. Custom colors are available on select trims. Please see the Decorative Trims link at www.caprilighting.com to download brochure and for further details.

SPECIFICATIONS

- Housing** - Deep drawn, single piece housing, painted black. For use with trims using up to 50 watt MR16 12 volt lamps. Ceiling opening: 4 1/8". Fits 2" x 6" joist construction.
- Transformer** - Class H magnetic transformer with coil covers nipple mounted to junction box. Accessible by removing housing from ceiling. 120 volt primary with 12 volt secondary for low voltage MR16 lamp. (LVERTX)
Also available without transformer, for use with remote transformer. For use with up to 50 watt lamp. (Specify LVER.)
- Installation** - For installation from below finished ceiling. All remodel housings have pre-installed mounting clips which securely fasten the housing to the ceiling surface from below without the use of tools.
- Junction Box** - 17 cubic inch 20 gauge painted steel with snap-on cover and grounding pigtail. Knockouts for 1/2" conduit and 4 Romex knockouts with a strain relief. Meets all safety requirements of UL and the NEC.

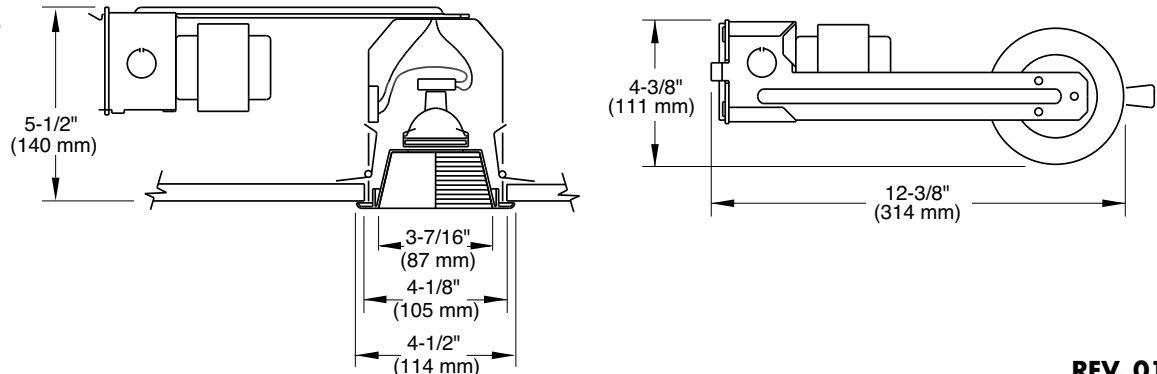
5. **Thermal Protection** - Standard thermal protection device automatically takes fixture out of service if temperature becomes excessive from overlampping, contact with insulation, or wrong lamp/trim combination.

6. **UL listed** for Damp Locations.

Accessories (Order separately)

Over Size Trim Ring.....	OV4
Louvers	LCL0
.....	LCL1
Color Filters	CF2-12
Remote Transformers (LVER only) -	
Must be readily accessible and located close to housing to minimize voltage drop.	
120V primary, 12-11V secondary,	
50VA complete with enclosure	ET-1
277V primary, 12-11V secondary,	
50VA complete with enclosure	ET-2
120/277V primary, 12-10V secondary,	
300VA complete with enclosure	ET-5

DIMENSIONS



REV. 01/08



LC101
1-3/4" Pinhole, Black Baffle
4-1/2" O.D. (114 mm)

Housing	Lamp	Wattage	Louver
LVERTX	MR16	50W	LCL1
LVER			



LC103 (shown)
1-3/4" Pinhole, Gold Reflector

LC102 Clear Reflector
LC104 Black Reflector
4-1/2" O.D. (114 mm)

Housing	Lamp	Wattage	Louver
LVERTX	MR16	50W	LCL1
LVER			



LC121W (shown)
Open Trim, White Baffle

LC121 Open Trim, Black Baffle
4-1/2" O.D. (114 mm)

Housing	Lamp	Wattage	Louver
LVERTX	MR16	50W	LCL1
LVER			



LC122 (shown)
Open Trim, Clear Reflector

LC123 Gold Reflector
LC124 Black Reflector
LC126 White Reflector
LC127SL Brushed Nickel Self Flanged*
*LCL0 Louver for LC127SL only.
4-1/2" O.D. (114 mm)

Housing	Lamp	Wattage	Louver
LVERTX	MR16	50W	LCL1
LVER			LCL0*



LC141 (shown)
Adjustable Gimbal Ring,
Black Baffle

LC141W
Adjustable Gimbal Ring,
White Baffle

45° Tilt
4-1/2" O.D. (114 mm)

Housing	Lamp	Wattage	Louver
LVERTX	MR16	50W	LCL0
LVER			

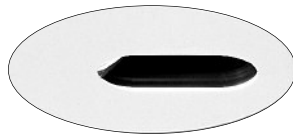


LC142 (shown)
Adjustable Gimbal Ring, Clear Reflector

LC143
Adjustable Gimbal Ring, Gold Reflector
LC144
Adjustable Gimbal Ring, Black Reflector
LC146
Adjustable Gimbal Ring, White Reflector
LC147SL
Adjustable Gimbal Ring, Brushed Nickel
Self Flange

45° Tilt 4-1/2" O.D. (114 mm)

Housing	Lamp	Wattage	Louver
LVERTX	MR16	50W	LCL0
LVER			



LC119
Recessed Adjustable
30° Tilt
4-1/2" O.D. (114 mm)

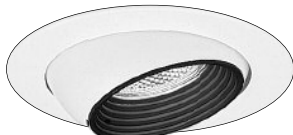
Housing	Lamp	Wattage	Louver
LVERTX	MR16	50W	LCL1
LVER			



LC190
Drop Adjustable, Gimbal Ring
Length 4 1/2"
Lamp positioned at 4-1/2" below
ceiling

0-90 Tilt
4-1/2" O.D. (114 mm)

Housing	Lamp	Wattage	Louver
LVERTX	MR16	50W	LCL0
LVER			



LC108
Adjustable Eyeball, Black Baffle

LC108BRN
Adjustable Eyeball, Brushed Nickel
30° Tilt

4-1/2" O.D. (114 mm)

Housing	Lamp	Wattage	Louver
LVERTX	MR16	50W	LCL1
LVER			



LC105
Adjustable Mirror Light

30°-90° Tilt
4-1/2" O.D. (114 mm)

Housing	Lamp	Wattage	Louver
LVERTX	MR16	50W	N/A
LVER			

2" Color Filters for MR16

CF1	Clear Lens
CF2	Spread Lens
CF3	Medium Blue Filter
CF4	Medium Red Filter
CF5	Medium Green Filter
CF7	Yellow Filter
CF8	Pink Filter
CF9	Linear Spread
CF10	UV Filter
CF11	Frosted Lens
CF12	Medium Amber Filter

Custom colors are available on select trims. Please see the Decorative Trims link at www.caprilighting.com to download brochure and for further details.

Capri Lighting reserves the right to make changes without notice. ©2008