

LVIX, LVIX with Square Trims

4" Miniature Non-IC Recessed Low Voltage Housings
New Construction

Catalog Number: _____

Type: _____

Project: _____



Description

LVIX - For new construction. Thermally protected, low voltage recessed housing. Miniature frame-in housing with magnetic transformer for use with MRI16 lamps up to 50 watts. Fixture is furnished with pre-installed BHI adjustable bar hangers. U.L. listed for through-branch circuit wiring, and damp location use.

LVIX - For new construction. Thermally protected, low voltage recessed housing. Miniature frame-in housing for use with remote transformer and MRI16 lamps up to 50 watts. Fixture is furnished with pre-installed BHI adjustable bar hangers. cUL listed for through-branch circuit wiring, and damp location use.

Features

- Magnetic transformers ensure properly controlled voltage to lamps maximizing lamp life. (LVIX)
- For use with trims using MRI16 12V lamps up to 50 watts.
- Pre-installed adjustable pre-nailed bar hangers for joists 16" - 24" on center.
- Fits 2" x 6" joist construction.
- LVIX requires remote transformer.
- Thermal protection standard.
- cUL Listed for Through-Branch Circuit Wiring and Damp Locations.

CATALOG SYSTEM AND OPTIONS

SAMPLE CATALOG NUMBER: LVIX-LCI33

Housing	Remote Transformer ² (LVIX only)	Trims (choose one)	Accessories (Ordered Separately)
LVIX/120 LVIX/277 LVIX ¹	ET-1 120/12v 50W ET-2 277/12v 50W ET-5 120/12v 300W	LCI31 – square adjustable gimbal, black baffle w/white trim LCI31W – square adjustable gimbal white baffle w/white trim LCI32 – square adjustable gimbal clear cone w/white trim LCI33 – square adjustable gimbal gold cone w/white trim LCI34 – square adjustable gimbal black cone w/white trim LCI34M1 – square adjustable gimbal black cone w/brushed nickel trim LCI34M2 – square adjustable gimbal black cone w/chrome trim LCI36 – square adjustable gimbal white cone w/white trim LCI36M1 – square adjustable gimbal white cone w/brushed nickel trim LCI36M2 – square adjustable gimbal white cone w/chrome trim LCI37SL – square adjustable gimbal brushed nickel cone w/brushed nickel trim	LCL0 & LCL1 Louvers CF2-12 Color Filters

Footnotes:

1. Remote transformer required.
2. See below for descriptions.

General Notes:

See back of sheet for housing, lamp and louver compatibility. Custom colors are available on select trims. Please visit www.caprilighting.com for further details.

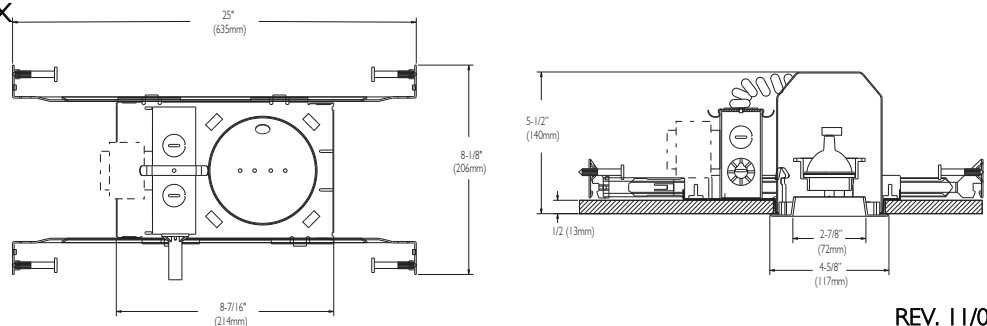
SPECIFICATIONS

- Housing** - Deep drawn, single piece housing, painted black. For use with trims using up to 50 watt MRI16 12 volt lamps. Ceiling opening: 4-1/4". Fits 2" x 6" joist construction.
- Plaster Frame** - Die-stamped 22 gauge galvanized steel. Pre-installed BHI bar hangers.
- Transformer** - Class H magnetic transformer with coil covers, nipple mounted to junction box. Easily removed from inside housing. (LVIX) Also available without transformer; for use with remote transformer. For use with up to 50 watt lamp. (Specify LVIX.)
- Bar Hangers** - BHI bar hangers telescope from 10-1/2" to 25". Vertical design of interlocking bar hangers prevents sagging even at full 25" extension. Pre-nailed for easy installation in wood joist construction; T-grid detail for snap-in installation onto suspended ceiling systems.
- Junction Box** - Extra-large 32 cubic inch 16 gauge galvanized steel with two snap-on covers and grounding pigtail. Knockouts for 1/2" and 3/4" conduit. Meets all safety requirements of cUL and the N.E.C.
- Thermal Protection** - Standard thermal protection device automatically takes fixture out of service if temperature becomes excessive from overlamping, contact with insulation, or wrong lamp/trim combination.
- Square Trims** - Trims are die-cast aluminum for superior durability and heat dissipation. Adjustable lamp aiming up to 45°. Durable powder coat and plated finishes will not fade or discolor.
- cUL listed** for Damp Locations and Through Branch Circuit Wiring, 4 in/4 out.

Remote Transformers (LVIX only) -

- Must be readily accessible and located close to housing to minimize voltage drop.
- 120V primary, 12-11V secondary, 50VA complete with enclosure - magneticET-1
 - 277V primary, 12-11V secondary, 50VA complete with enclosure - magneticET-2
 - 120V primary, 12V secondary - electronic, 300W - electronic.....ET-5

DIMENSIONS - LVIX/LVIX



Lamp Wattage
(1) MRI16 50W Maximum

REV. 11/09



LC131
Adjustable Gimbal Black Baffle w/
White Trim
4-5/8" sq. (117 mm)
Housing Lamp Wattage Louver
LVIX MR16 50W LCL1
LVIX



LC131W
Adjustable Gimbal White Baffle w/
White Trim
4-5/8" sq. (117 mm)
Housing Lamp Wattage Louver
LVIX MR16 50W LCL1
LVIX



LC132
Adjustable Gimbal Clear Cone w/
White Trim
4-5/8" sq. (117 mm)
Housing Lamp Wattage Louver
LVIX MR16 50W LCL1
LVIX



LC133
Adjustable Gimbal Gold Cone
w/ White Trim
4-5/8" sq. (117 mm)
Housing Lamp Wattage Louver
LVIX MR16 50W LCL1
LVIX LCL0*



LC134
Adjustable Gimbal Black Cone
w/ White Trim
4-5/8" sq. (117 mm)
Housing Lamp Wattage Louver
LVIX MR16 50W LCL0
LVIX



LC134M1
Adjustable Gimbal Black Cone w/
Brushed Nickel Trim
4-5/8" sq. (117 mm)
Housing Lamp Wattage Louver
LVIX MR16 50W LCL0
LVIX



LC134M2
Adjustable Gimbal Black Cone w/
Chrome Trim
4-5/8" sq. (117 mm)
Housing Lamp Wattage Louver
LVIX MR16 50W LCL1
LVIX



LC136
Adjustable Gimbal White Cone w/
White Trim
4-5/8" sq. (117 mm)
Housing Lamp Wattage Louver
LVIX MR16 50W LCL0
LVIX



LC137SL
Adjustable Gimbal Brushed
Nickel Cone w/ Brushed Nickel
Trim
4-5/8" sq. (117 mm)
Housing Lamp Wattage Louver
LVIX MR16 50W LCL1
LVIX



LC136M1
Adjustable Gimbal White Cone w/
Brushed Nickel Trim
4-5/8" sq. (117 mm)
Housing Lamp Wattage Louver
LVIX MR16 50W LCL0
LVIX



LC136M2
Adjustable Gimbal White Cone w/
Chrome Trim
4-5/8" sq. (117 mm)
Housing Lamp Wattage Louver
LVIX MR16 50W LCL0
LVIX

2" Color Filters for MR16

CF1	Clear Lens
CF2	Spread Lens
CF3	Medium Blue Filter
CF4	Medium Red Filter
CF5	Medium Green Filter
CF7	Yellow Filter
CF8	Pink Filter
CF9	Linear Spread
CF10	UV Filter
CF11	Frosted Lens
CF12	Medium Amber Filter

Philips Capri reserves the right to make changes without notice.©2009