

CRR5 & CRR5QP & CRR5NBQP

5" Recessed Incandescent Housing Remodel Construction - IC & Non-IC/AirSeal™

Catalog Number: _____

Type: _____

Project: _____



Description

For remodel construction. Thermally protected recessed housing. Fixture is suitable for direct contact with thermal insulation and is AirSeal rated. For higher wattage applications, ceiling insulation must be a minimum of three inches from recessed fixture. For fast installation in existing plaster or mechanical ceilings from 1/2" to 1-1/4" thick. Remodel clips are easily retractable for fixture removal, if necessary. Junction box is provided with 1/2" conduit knockouts and 4 Romex knockouts with a strain relief.

Features

- Accommodates existing plaster or mechanical ceilings from 1/2" to 1-1/4" thick.
- IC - 75W Maximum, Non-IC - 75W Maximum
- Wide variety of trims.
- Housing is constructed of painted white aluminum for improved heat dissipation.
- Fixture is provided with stepless adjustable socket mounting plate which can be removed for socket supporting trims.
- Thermal protection standard.
- U.L. Listed for Through-Branch Circuit Wiring and Damp Locations.
- Fixture may be passed through 5-3/16" opening.
- AirSeal rated to ASTM E283.

CATALOG SYSTEM AND OPTIONS

SAMPLE CATALOG NUMBER: CRR5-R134W

Housing	Trims (choose one)
CRR5	R238 Black Baffle*
CRR5QP	R238W White Baffle*
CRR5NBQP	R240 Black Baffle
	R240W White Baffle
	R130C Specular Clear Reflector
	R130BK Black Reflector
	R130G Gold Reflector
	R130W White Reflector
	R249C Specular Clear Reflector*
	R249G Gold Reflector*
	R249BK Black Reflector*
	R132W White Open Trim*
	R132PB Polished Brass Open Trim*
	R120W White Reflector Cone*
	R120 Black Reflector Cone*

Custom colors are available on select trims. Please see the Decorative Trims link at www.caprilighting.com to download brochure and for further details.

R136	Drop Round Shower Trim
R135	Albalite Shower Trim
R133W	PAR30 Eyeball White
R133PB	PAR30 Eyeball Polished Brass
R133BRN	PAR30 Eyeball Brushed Nickel
R138BK	PAR20 Eyeball White w/ Black Baffle
R138W	PAR 20 Eyeball White w/White Baffle
R138PB	PAR 20 Eyeball White w/White Baffle
R221	White Eyeball
R221PB	Polished Brass Eyeball
R248	Wall Wash*
R134W	Recessed Gimbal White Baffle
R134BK	Recessed Gimbal Black Baffle
R134WHT	Recessed Gimbal White Reflector
R134C	Recessed Gimbal Clear Reflector

R134PB	Recessed Gimbal Polished Brass Reflector
R134BRN	Recessed Gimbal Brushed Nickel Reflector
R139W	Surface Gimbal Clear Reflector
R139PB	Surface Gimbal Polished Brass Reflector
5B30	Black Baffle
5B30W	White Baffle
5B101	Clear Reflector with Black Baffle
5B101W	Clear Reflector with White Baffle
5A100C	Clear Multiplier
5A100G	Gold Multiplier

*Bracket required for these trims.

SPECIFICATIONS

- Housing** - Constructed of painted white .032 aluminum. Accommodates ceilings from 1/2" to 1-1/4" thick. For remodel application. Accommodates lamps up to 75 watts for IC applications and lamps up to 75 watts for Non-IC lamps where thermal insulation is kept a minimum of three inches from housing.
- Installation** - For installation from below finished ceiling.
- Socket** - Medium base screw shell porcelain socket, mounted with snap-in clips to adjustable socket plate. Stepless adjustable socket holder, retained by single wingnut, adjusts vertically to accommodate a wide variety of lamp and trim options.

- Pressure Clips** - Three spring steel pressure clips install from inside of housing. Clips provide continuous pressure maintaining housing to ceiling.
- IC & Non-IC** - Housing is UL Listed for direct contact with thermal insulation. For Non-IC applications, higher wattages may be used. Insulation must be kept three inches away from housing in Non-IC applications.
- Junction Box** - Large 17 cubic inch 20 gauge steel with snap on covers and grounding pigtail. Knockouts for 1/2" conduit and 4 Romex knockouts with strain relief. Meets all safety requirement of UL and the N.E.C.
- Thermal Protection** - Standard thermal protection device inside housing automatically takes fixture out of

service if temperature becomes excessive from overlamping, or wrong lamp/trim combination.

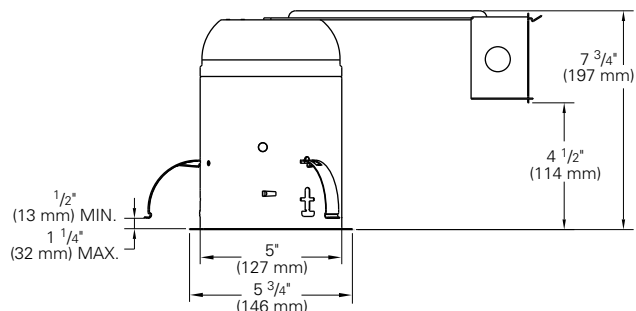
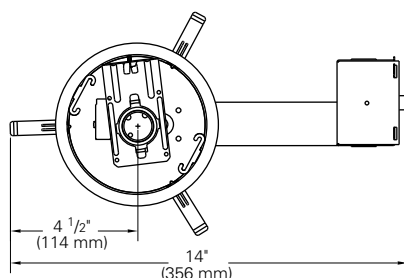
8. **c/UL Listed** for damp locations and through branch wiring, 4 in / 4 out.

9. **AirSeal** rated to ASTM E283.

Options

Quick Plug.....**QP**

DIMENSIONS



REV. 01/08

5" TRIMS



R238 (Shown)
Black Baffle Trim
R238W White Baffle Trim
Bracket Required
5 3/4" O.D. (146 mm)

Housing	Lamp	IC	Non-IC
QL5	PAR20	50W	50W
CR5	PAR30L	75W	75W
CRR5	R30	75W	75W
R5	PAR20	50W	
	PAR30	75W	
	R30	75W	



R240 (shown)
Black Baffle Trim
R240W
White Baffle Trim
Socket Supporting
6 3/8" O.D. (162 mm)

Housing	Lamp	IC	Non-IC
QL5	PAR30	50W	75W
CR5	R30	75W	75W
CRR5	R30	75W	75W



R130C (Shown)
Specular Clear Reflector
R130BK Black Reflector
R130G Gold Reflector
R130W White Reflector
Socket Supporting
6 3/8" O.D. (162 mm)

Housing	Lamp	IC	Non-IC
QL5	PAR30	50W	75W
CR5	R30	50W	75W
CRR5	R30	50W	75W



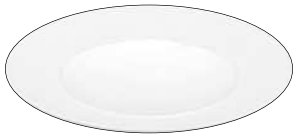
R249C (Shown)
Specular Clear Reflector
R249G Gold Reflector
R249BK Black Reflector
Bracket Required
5 3/4" O.D. (146 mm)

Housing	Lamp	IC	Non-IC
QL5	PAR20	50W	50W
CR5	R20	50W	50W
CRR5			
R5	PAR20	50W	
	R20	50W	



R132W (Shown)
White Open Trim
R132PB
Polished Brass Open Trim
Bracket Required
6 3/8" O.D. (162 mm)

Housing	Lamp	IC	Non-IC
QL5	PAR30	75W	75W
CR5	R30	75W	75W
CRR5			
R5	PAR30	75W	
	R30	75W	



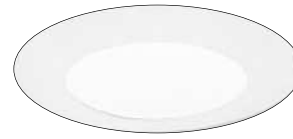
R120W (Shown)
White Reflector Cone
R120
Black Reflector Cone
Bracket Required
6 3/8" O.D. (162 mm)

Housing	Lamp	IC	Non-IC
QL5	PAR20	50W	50W
CR5	R20	50W	50W
CRR5			
R5	PAR20	50W	
	R20	50W	



R136
Drop Round Shower Trim
Socket Supporting
6 3/8" O.D. (162 mm)

Housing	Lamp	IC	Non-IC
QL5	A19	60W	
CR5	PAR30	50W	75W
CRR5			
R5	A19	60W	
	PAR30	75W	



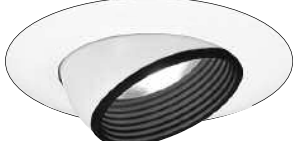
R135
Albalite Shower Trim
Socket Supporting
6 3/8" O.D. (162 mm)

Housing	Lamp	Non-IC
QL5	A19	60W
CR5	PAR30	75W
CRR5		
R5	A19	40W



R133W (shown)
White Par 30 Eyeball
R133PB
Par 30 Eyeball Polished Brass
R133BRN
Par 30 Eyeball Brushed Nickel
Socket Supporting
6 3/8" O.D. (162 mm)

Housing	Lamp	IC	Non-IC
QL5	PAR30	50W	75W
CR5			
CRR5			
R5	PAR30	75W	



R138BK
Par 20 Eyeball (shown)
R138W
Par 20 Eyeball
White with White Baffle
R138PB
Par 20 Eyeball
Polished Brass with Black Baffle
Socket Supporting

R138PB
Par 20 Eyeball
Polished Brass with Black Baffle
Socket Supporting

Housing	Lamp	IC	Non-IC
QL5	PAR20	50W	50W
CR5			
CRR5			
R5	PAR20	50W	



R221
White Eyeball
R221PB
Polished Brass Eyeball
Socket Supporting
7" O.D. (178 mm)

Housing	Lamp	IC	Non-IC
QL5	PAR20	50W	50W
CR5	R20	50W	50W
CRR5			
R5	PAR20	50W	
	R20	50W	



R248
Wall Wash
Bracket Required
5-3/4" O.D. (146 mm)

Housing	Lamp	IC	Non-IC
QL5	PAR20	50W	50W
CR5	R20	50W	50W
CRR5			
R5	R20	50W	



R139W (shown)
Surface Gimbal, Clear Reflector
R139PB
Surface Gimbal,
Polished Brass Reflector
Socket Supporting
6 3/8" O.D. (162 mm)

Housing	Lamp	IC	Non-IC
QL5	PAR30	50W	75W
CR5			
CRR5			
R5	PAR30	75W	



R134W (shown)
Recessed Gimbal, White Reflector
R134BK
Recessed Gimbal, Black Baffle
Socket Supporting
6 3/8" O.D. (162 mm)

Housing	Lamp	IC	Non-IC
QL5	PAR30	50W	75W
CR5			
CRR5			
R5	PAR30	75W	



R134WHT (shown)
Recessed Gimbal, White Reflector
R134C
Recessed Gimbal, Clear Reflector
R134PB
Recessed Gimbal, Polished Brass Reflector
R134BRN Recessed Gimbal Brushed Nickel Reflector
Socket Supporting
6 3/8" O.D. (162 mm)

Housing	Lamp	IC	Non-IC
QL5	PAR30	50W	75W
CR5			
CRR5			
R5	PAR30	75W	

Custom colors are available on select trims. Please see the Decorative Trims link at www.caprilighting.com to download brochure and for further details.

Capri Lighting reserves the right to make changes without notice. ©2008

* Canadian product offering specifications and wattages may vary from those shown.

This product may be covered by one or more of the following U.S. Patents: #4,408,262, #4,703,406, #4,723,747, #4,910,651, #5,057,979. Other U.S. or Foreign Patents may apply.