

R4 with Square Trims

4" Recessed Incandescent Housing

New Construction

Catalog Number: _____

Type: _____

Project: _____



Description

For new construction. Thermally protected recessed housing. Furnished with pre-installed BHI adjustable bar hangers. Fixture is UL listed for through-branch circuit wiring and damp location use.

Features

- Compact size permits installation within 2" x 6" joist construction, and as close as 8" on center.
- 75 watt maximum.
- Wide variety of square trims available.
- Pre-installed BHI bar hangers.
- Thermal protection standard.
- cUL Listed for through-branch circuit wiring and damp locations.
- Non-IC applications.

CATALOG SYSTEM AND OPTIONS

SAMPLE CATALOG NUMBER: R4-R452

Housing

Trims

R4

- LC131 – square adjustable gimbal, black baffle w/white trim¹
- LC131W – square adjustable gimbal white baffle w/white trim¹
- LC132 – square adjustable gimbal clear cone w/white trim¹
- LC133 – square adjustable gimbal gold cone w/white trim¹
- LC134 – square adjustable gimbal black cone w/white trim¹
- LC134M1 – square adjustable gimbal black cone w/brushed nickel trim¹
- LC134M2 – square adjustable gimbal black cone w/chrome trim¹
- LC136 – square adjustable gimbal white cone w/white trim¹
- LC136M1 – square adjustable gimbal white cone w/brushed nickel trim¹
- LC136M2 – square adjustable gimbal white cone w/chrome trim¹
- LC137SL – square adjustable gimbal brushed nickel cone w/brushed nickel trim¹

- R451 square adjustable black baffle w/white trim²
- R451W square adjustable white baffle w/white trim²
- R452 square adjustable clear cone w/white trim²
- R453 square adjustable gold cone w/white trim²
- R454 square adjustable black cone w/white trim²
- R456 square adjustable white cone w/white trim²
- R457SL square adjustable brushed nickel cone w/brushed nickel trim²

Footnotes:

1. PAR 20 only.
2. Available with PAR16 & PAR20.

General Notes:

See back of sheet for housing, lamp and louver compatibility.
Custom colors are available on select trims. Please visit www.caprilighting.com for further details.

SPECIFICATIONS

1. **Housing** - Deep drawn single piece housing, painted black. Adjusts vertically in plaster frame to accommodate ceilings 1/2" to 1-1/2" thickness. Housing can be pulled through plaster frame for access to junction box. Accommodates lamps up to 55 watts, depending on trim used. Ceiling opening 4-1/4".

2. **Plaster Frame** - Die-stamped 22 gauge galvanized steel. Pre-installed BHI bar hangers.

3. **Socket** - Snap-in socket pre-installed in housing. Easily attached to trims by depressing mounting clips and snapping into socket yoke on trims.

4. **Bar Hangers** - Pre-installed BHI bar hangers telescope from 10-1/2" to 25" inches. Alignment holes provided to center fixture on 14, 16 and 24 inch centers. Bar hangers are equipped with heavy duty fluted nails. Interlocking support tabs provide smooth adjustment of bar hanger.

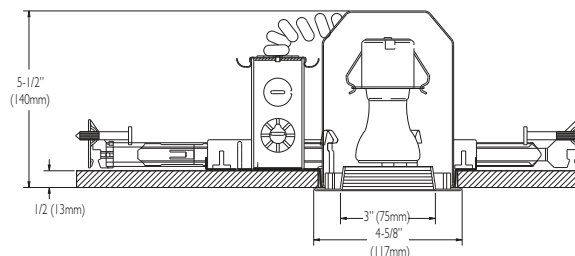
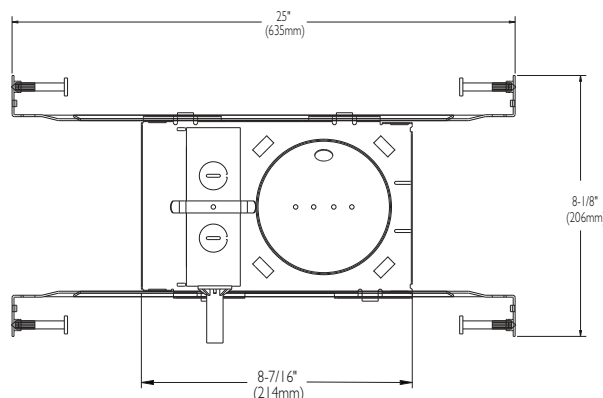
5. **Square Trims** - Trims are die-cast aluminum for superior durability and heat dissipation. Adjustable lamp aiming up to 25°. Durable powder coat and plated finishes will not fade or discolor.

6. **Junction Box** - Extra-large 32 cubic inch 16 gauge galvanized steel with two snap-on covers and grounding pigtail. Knockouts for 1/2" and 3/4" conduit. Meets all safety requirements of UL and the N.E.C.

7. **Thermal Protection** - Standard thermal protection device inside housing automatically takes fixture out of service if temperature becomes excessive from contact with insulation, overlampping, or wrong lamp/trim combination.

8. **cUL Listed** for damp locations and through branch wiring, 4 in/4 out.

DIMENSIONS



REV. 11/09

R4 - 4" Square Trims



LCI31
Adjustable gimbal white trim w/black baffle
4-5/8" sq. (117 mm)
Housing Lamp Wattage
R4 PAR16 55W



LCI31W
Adjustable gimbal white trim w/white baffle
4-5/8" sq. (117 mm)
Housing Lamp Wattage
R4 PAR16 55W



LCI32
Adjustable gimbal white trim w/ clear cone
4-5/8" sq. (117 mm)
Housing Lamp Wattage
R4 PAR16 55W



LCI33
Adjustable gimbal white trim w/ gold cone
4-5/8" sq. (117 mm)
Housing Lamp Wattage
R4 PAR16 55W



LCI34
Adjustable gimbal white trim w/ black cone
4-5/8" sq. (117 mm)
Housing Lamp Wattage
R4 PAR16 55W



LCI34M1
Adjustable gimbal brushed nickel trim w/black cone
4-5/8" sq. (117 mm)
Housing Lamp Wattage
R4 PAR16 55W



LCI34M2
Adjustable gimbal chrome trim w/black cone
4-5/8" sq. (117 mm)
Housing Lamp Wattage
R4 PAR16 55W



LCI36
Adjustable gimbal white trim w/white cone
4-5/8" sq. (117 mm)
Housing Lamp Wattage
R4 PAR16 55W



LCI36M1
Adjustable gimbal brushed nickel trim w/white cone
4-5/8" sq. (117 mm)
Housing Lamp Wattage
R4 PAR16 55W



LCI36M2
Adjustable gimbal chrome trim w/white cone
4-5/8" sq. (117 mm)
Housing Lamp Wattage
R4 PAR16 55W



LCI37SL
Adjustable gimbal brushed nickel trim w/brushed nickel cone
4-5/8" sq. (117 mm)
Housing Lamp Wattage
R4 PAR16 55W



R451
Adjustable white trim w/black baffle
4-5/8" sq. (117 mm)
Housing Lamp Wattage
R4 PAR20 50W
PAR16 55W



R451W
Adjustable white trim w/ white baffle
4-5/8" sq. (117 mm)
Housing Lamp Wattage
R4 PAR20 50W
PAR16 55W



R452
Adjustable white trim w/clear cone
4-5/8" sq. (117 mm)
Housing Lamp Wattage
R4 PAR20 50W
PAR16 55W



R453
Adjustable white trim w/gold cone
4-5/8" sq. (117 mm)
Housing Lamp Wattage
R4 PAR20 50W
PAR16 55W



R454
Adjustable white trim w/black cone
4-5/8" sq. (117 mm)
Housing Lamp Wattage
R4 PAR20 50W
PAR16 55W



R456
Adjustable white trim w/white cone
4-5/8" sq. (117 mm)
Housing Lamp Wattage
R4 PAR20 50W
PAR16 55W



R457SL
Adjustable brushed nickel trim w/ brushed nickel cone
4-5/8" sq. (117 mm)
Housing Lamp Wattage
R4 PAR20 50W
PAR16 55W

Philips Capri reserves the right to make changes without notice.©2009