

Capri LED Display Luminaire Power Supply Guide

Option 1: Plug-In (Non-dimming)

Catalog #	Description
CLPD25	LED Power Supply with Plug- 25 watt capacity

The CLPD25 power supply offers the convenience of a plug-in power supply.



Option 2: Hard-Wired (Dimming Capable)

Choose a driver:

Catalog#	Description
CLD20	LED Remote driver - 20 watt max capacity
CLD40	LED Remote driver - 40 watt max capacity
CLD60	LED Remote driver - 60 watt max capacity



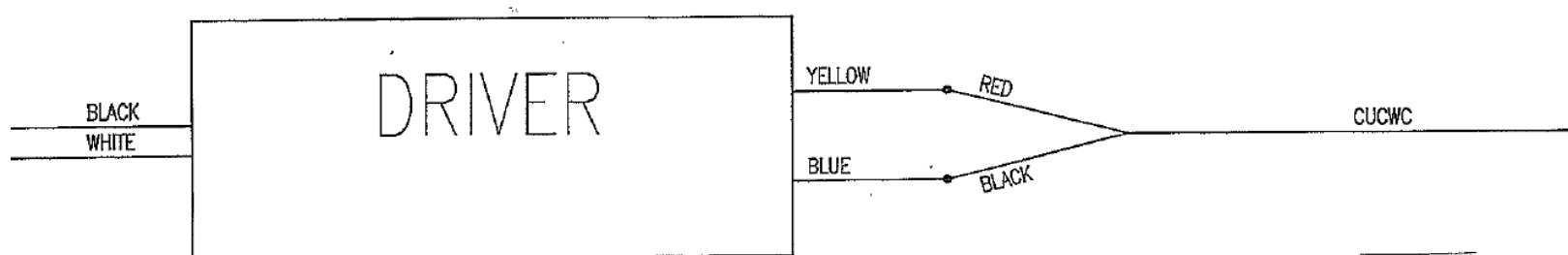
Choose a plug to wire connector:

Catalog #	Description
CUCWC30	30" Plug to wire connector
CUCWC60	60" Plug to wire connector
CUCWC120	120" Plug to wire connector

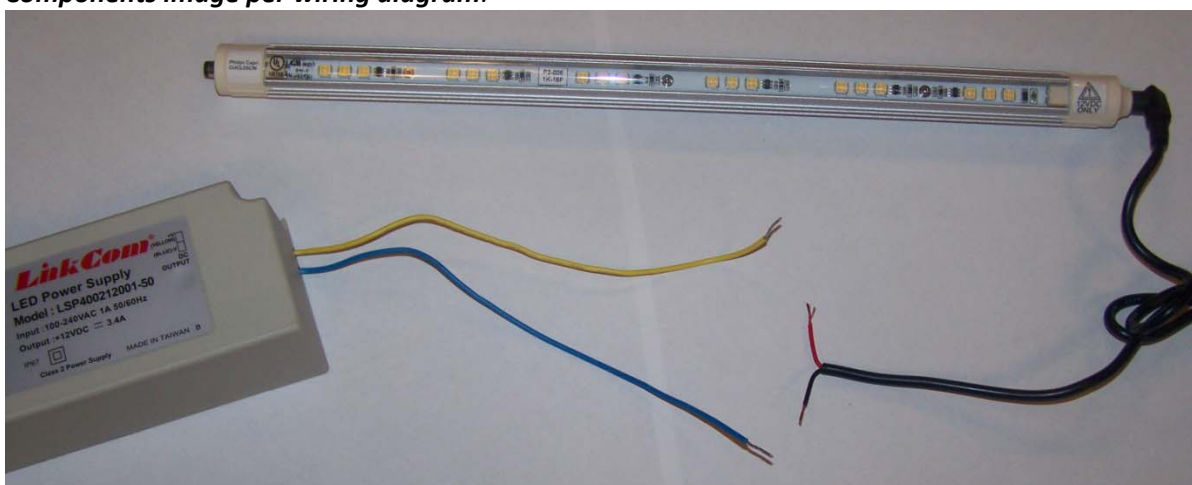


The CLD power supplies are for use in applications requiring higher wattage. CUCWC plug to wire connector required to connect power supply to the first luminaire in a run.

Wiring diagram:



Components image per wiring diagram:



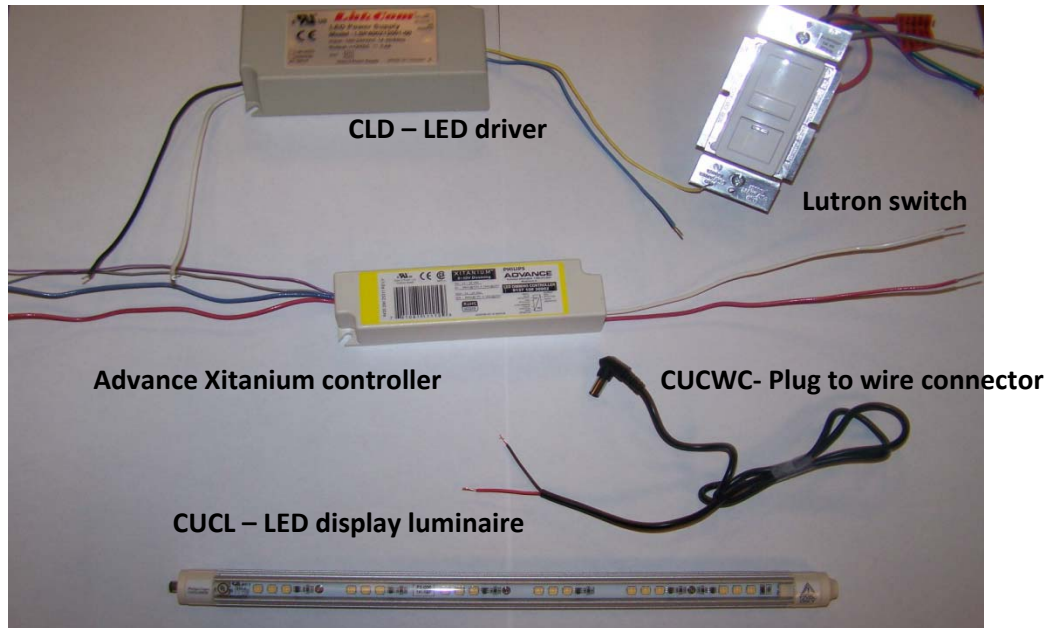
Hard-wired dimming guide

The Philips Capri LED hard-wired drivers are dimming capable using dimming components supplied by others. All dimming components are compatible for CLD 20 watt, 40 watt, and 60 watt drivers only. There are two dimming options to choose from, for more information and technical data see spec sheet SW3-2.1.

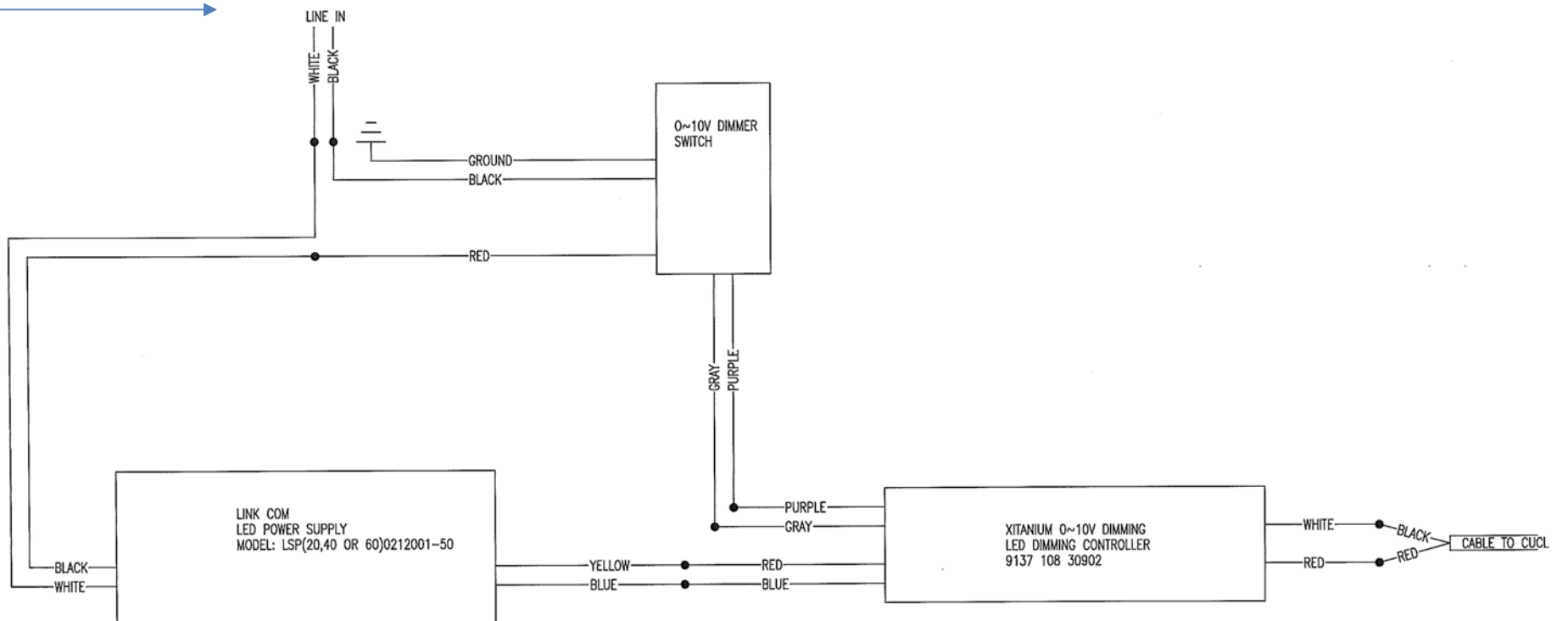
Images and wiring diagram below is using the following dimming components supplied by others.

- Qualified dimming controller:
Xitanium 913710830902 by Advance Transformer
- Qualified dimming switches:
Nova NTFTV or NFTA by Lutron

Necessary components needed for dimming:



Wiring diagram:



Components wired per wiring diagram:

